

## Landscape Timber Screw

**Head Style:** Large Washer Head

**Drive Type:** Internal Hex

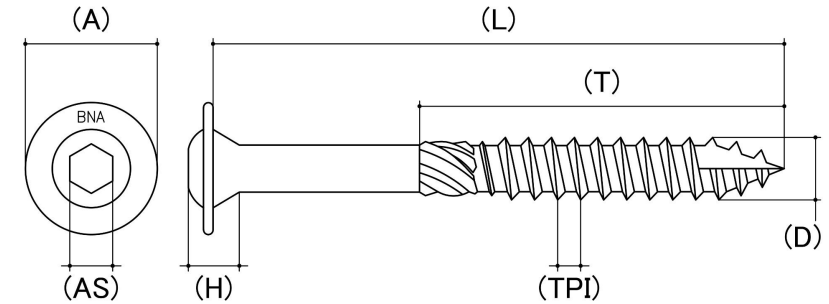
**Suitable For:** Treated Pine

**Material:** Hardened Steel

**Class Grade:** Tykote

**Finish:** Tykote

**Corrosion Protection Level:** Excellent



*CAD drawings shown for graphic representation only.\**

Size	Thread Pitch (TPI)	Thread Type	Head Diameter (A) (mm)		Head Height (H) (mm)		Driver Bit Size (AS) (mm)	sku (qfind)
			Min	Max	Min	Max	Nom	
16g (6.80mm)	8	Coarse	15.40	15.70	3.60	3.80	5.00	06W16TK

**Disclaimer:**

Dimensional data and technical information was obtained from publicly available sources and not acquired through standard agencies. It has been completed and compiled for reference purposes only; where discrepancies are found they are subject to change without notice. Bolt & Nut Australia makes no warranties or representations regarding the accuracy and validity of the compiled information and data. Contact the relevant standard authorities for accurate and detailed information.

\* CAD drawings may not reflect diameter, thread length or overall length.

© Bolt & Nut Australia Pty Ltd. All rights reserved.

Version: 18 Mar 2024